

BOL. BOLLY1 XSB/XSC VT (316L)

STAINLESS STEEL 316L



STORAGE		EXCHANGER	
Pmax	Tmax	Pmax	Tmax
10 bar	95° C	12 bar	99° C
8 bar - 1000 lt		-	

BOL. BOLLY1 XSB VT								
[]	ART. NR.	, €	[m2]	[KW]	[min]	[lt/h]	[lt/10']	[Kg]
150	3105052010001		0,8	20,8	23,8	511	235	62
200	3105052010002		1,1	28,6	24,0	702	317	71
300	3105052010003		1,2	31,2	32,5	766	428	91
500	3105052010005		2	50,0	33,6	1229	705	154

BOL. BOLLY1 XSC VT								
[]	ART. NR.	, €	[m2]	[KW]	[min]	[lt/h]	[lt/10']	[Kg]
(**) 800	3103052010006		3	75,0	34,0	1842	1057	172
(**) 1000	3103052010007		3,5	87,5	38,0	2150	1358	235

80°C,

10°C 45 °C

(**) on 800 1000

BOL. BOLLY1 WSB/WSC VT POLYWARM®

POLYWARM®



STORAGE		EXCHANGER	
Pmax	Tmax	Pmax	Tmax
10 bar	90° C	12 bar	99° C
8 bar - 1000 lt		-	

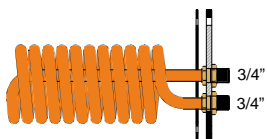
BOL. BOLLY1 WSB VT								
[]	ART. NR.	, €	[m2]	[KW]	[min]	[lt/h]	[lt/10']	[Kg]
150	3105162320001		0,8	20,8	23,8	511	235	62
200	3105162320002		1,1	28,6	24,0	702	317	71
300	3105162320003		1,2	31,2	32,5	766	428	91
400	3105162320004		1,5	37,5	36,0	921	554	135
500	3105162320005		2	50,0	33,6	1229	705	154

BOL. BOLLY1 WSC VT								
[]	ART. NR.	, €	[m2]	[KW]	[min]	[lt/h]	[lt/10']	[Kg]
(**) 800	3103162320006		3	75,0	34,0	1842	1057	172
(**) 1000	3103162320007		3,5	87,5	38,0	2150	1358	235

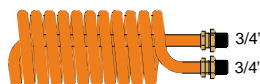
80°C,

10°C 45 °C

(**) on 800 1000



WITH FLANGE PLATE AND GASKET.



ART. NR.		, €
5221000910001	BOLLY Polywarm =0.94m2 D=145mm L=370mm	
5221000010001	Stainless Steel =0.94m2 D=145mm L=370mm	

300

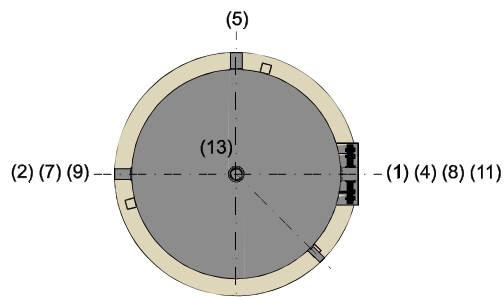
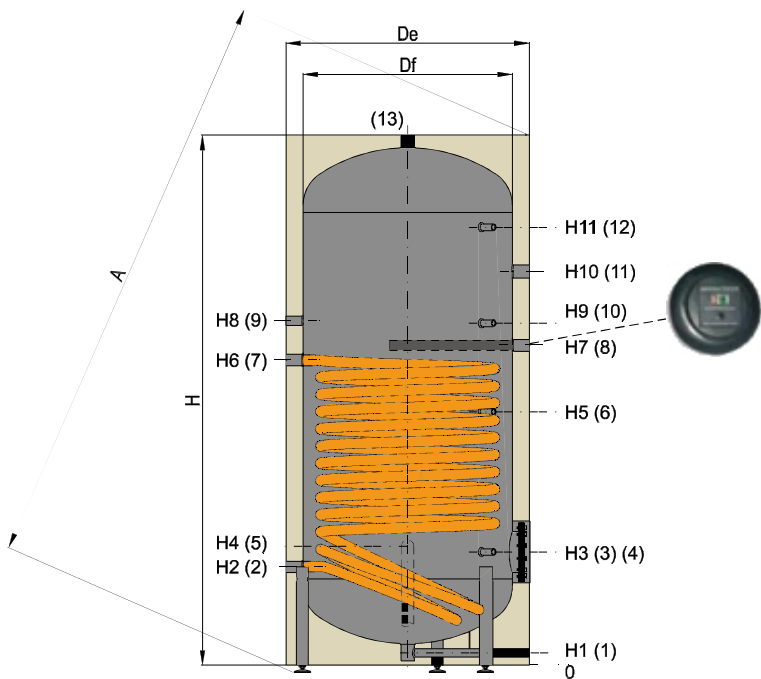
ART. NR.		, €
5205000060002	=0.94m2 D=145mm L=370mm	

300



"EASY CONTROL"

1	3/4"
2	
3	1/2"
4	
5	
6	1/2"
7	
8	1"1/4
9	
10	1/2"
11	1"1/2
12	1/2"
13	



(*) 800 1000
100 mm.

5 5 Polywarm (316 L)

316L (XSB version)
(WSB)

(Anodentester),

(Polywarm)



(52 .)

	Df	De	H	A	H1	H2	H3	H4	H5	H6	H7	H8	H9	H10	H11	4	2-7	5	9	13
[]	[mm]																			
150	400	510	1415	1505	53	290	310	330	650	830	875	980	850	1030	1170	Øi 120	1"	3/4"	3/4"	1"1/4
200	450	560	1435	1545	53	300	320	350	720	880	945	1050	920	1040	1180	Øi 120	1"	1"	3/4"	1"1/4
300	550	670	1490	1635	53	325	375	410	685	865	910	1015	885	1065	1205	Øi 160	1"	1"	1"	1"1/4
400	600	720	1770	1915	53	340	390	415	760	940	990	1090	960	1330	1470	Øi 160	1"	1"	1"	1"1/4
500	650	790	1800	1970	53	355	405	425	895	1075	1122	1225	1095	1340	1480	Øi 160	1"	1"	1"	1"1/4
(**) 800	750	950	2110	2315	53	380	435	445	1100	1256	1327	1430	1370	1570	1760	Øi 160	1"1/4	1"	1"	1"1/4
(**) 1000	850	1050	2153	2400	50	400	460	485	1030	1240	1300	1400	1390	1600	1780	Øi 160	1"1/4	1"1/4	1"	1"1/2