

BOL. BOLLY2 XSB/XSC VT (316L)

STAINLESS STEEL 316L



STORAGE		EXCHANGER	
Pmax	Tmax	Pmax	Tmax
See Table	95° C	12 bar	99° C

BOL. BOLLY2 XSB VT			P. Max
[]	ART. NR.	, €	[Bar]
150	3135052010001		10
200	3135052010002		10
300	3135052010003		10
500	3135052010005		10

BOL. BOLLY2 XSC VT			P. Max
[]	ART. NR.	, €	[Bar]
(*) 800	3138052010006		10
(*) 1000	3138052010007		8

(*) 800 1000

BOL. BOLLY2 WSB/WSC VT POLYWARM®

POLYWARM®



STORAGE		EXCHANGER	
Pmax	Tmax	Pmax	Tmax
See Table	90° C	12 bar	99° C

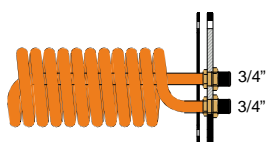
BOL. BOLLY2 WSB VT			P. Max
[]	ART. NR.	, €	[Bar]
150	3135162320001		10
200	3135162320002		10
300	3135162320003		10
400	3135162320004		10
500	3135162320005		10

BOL. BOLLY2 WSC VT			P. Max
[]	ART. NR.	, €	[Bar]
(*) 800	3138162320106		10
(*) 1000	3138162320107		8

(*) 800 1000

10°C 45°C, 80°C, 60°C
(*) 800 1000

[]	[m2]	[KW]	[min]	[lt/h]	[lt/10']	[m2]	[KW]	[min]	[lt/h]	[lt/10']	[Kg]
150	0,8	20,8	23,8	511	235	0,36	9,4	15	229	88	65
200	1,1	28,6	24,0	702	317	0,32	8,3	18	205	101	73
300	1,2	31,2	32,5	766	428	0,60	15,6	18	384	164	98
400	1,5	37,5	36,0	921	554	1,10	27,5	17	676	246	143
500	2	50,0	33,6	1229	705	0,90	22,5	21	553	259	156
800	3	75,0	34,0	1842	1057	1,30	32,5	21	798	383	181
1000	3,5	87,5	38,0	2150	1358	1,80	45,0	22	860	477	235



WITH FLANGE PLATE AND GASKET.



ART. NR.		, €
5221000910001	BOLLY Polywarm =0.94m2 D=145mm L=370mm	
522100010001	Stainless Steel =0.94m2 D=145mm L=370mm	

ART. NR.		, €
5205000060002	=0.94m2 D=145mm L=370mm	

300

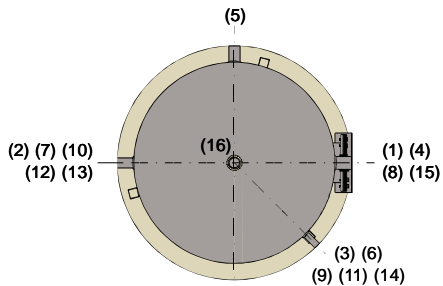
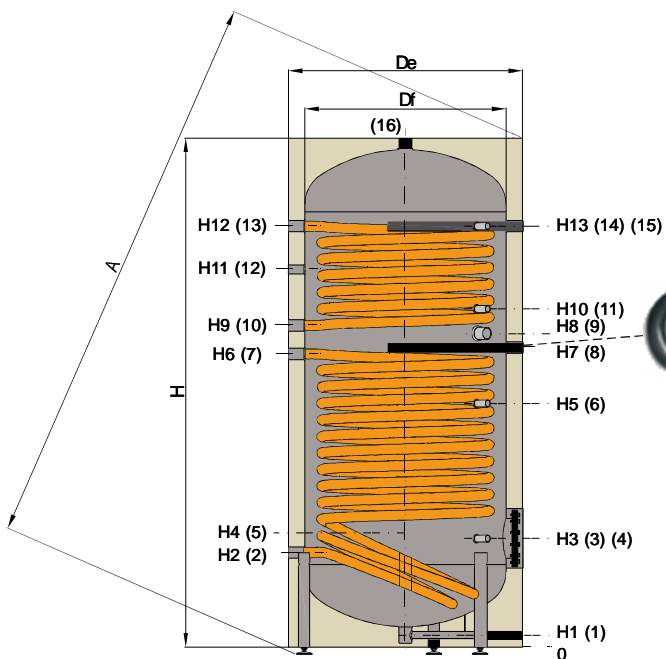
300



"EASY CONTROL"



1	3/4"
2	
3	1/2"
4	
5	
6	1/2"
7	
8	1"1/4
9	1"1/2
10	
11	1/2"
12	
13	
14	1/2"
15	1"1/4
16	(800 1000)



(* 800 1000
100 mm.

500

1

(XSB version)
(WSB)

316L

(Anodentester),

Polywarm

5 (316 L)
5 Polywarm

(52 .)



Even if the tanks are tested from 60° up to 95° C the local legislation has always to be observed.

	Df	De	H	A	H1	H2	H3	H4	H5	H6	H7	H8	H9	H10	H11	H12	H13	4	2-7 10-13	5	12	16
[]	[mm]																					
150	400	510	1415	1505	53	290	310	330	650	830	860	910	920	1040	1040	1160	1170	Ø 120	1"	3/4"	3/4"	1"1/4
200	450	560	1435	1545	53	300	320	340	720	880	920	970	1020	1080	1110	1200	1190	Ø 120	1"	1"	3/4"	1"1/4
300	550	670	1490	1635	53	315	375	400	685	855	895	945	975	1095	1095	1215	1225	Ø 160	1"	1"	1"	1"1/4
400	600	720	1770	1915	53	340	390	415	760	940	970	1020	1040	1220	1249	1460	1470	Ø 160	1"	1"	1"	1"1/4
500	650	790	1800	1970	53	355	405	425	895	1075	1110	1160	1170	1290	1300	1470	1480	Ø 160	1"	1"	1"	1"1/4
(* 800)	750	950	2110	2315	53	380	435	445	1055	1256	1290	1340	1375	1525	1550	1740	1760	Ø 160	1"1/4	1"	1"	1"1/4
(* 1000)	850	1050	2153	2400	50	400	460	485	1030	1240	1280	1325	1360	1570	1545	1780	1780	Ø 160	1"1/4	1"1/4	1"	1"1/2

P.E.D. product planned and produced in conformity to the article 3.3 of norm 92/23/Ce